

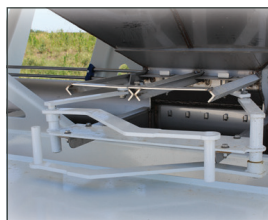
SIDE DISCHARGE TENDERS



16FT TRUCK MOUNTED



- #304 Stainless Steel Hoppers
- 10" Stainless Steel Tube w/Stainless Steel Flighted Auger
- Modular Multi-Hopper Design
- Side Discharge
- Fertilizer Auger Tender
- Truck Mounted Operated
- Hydraulically Operated

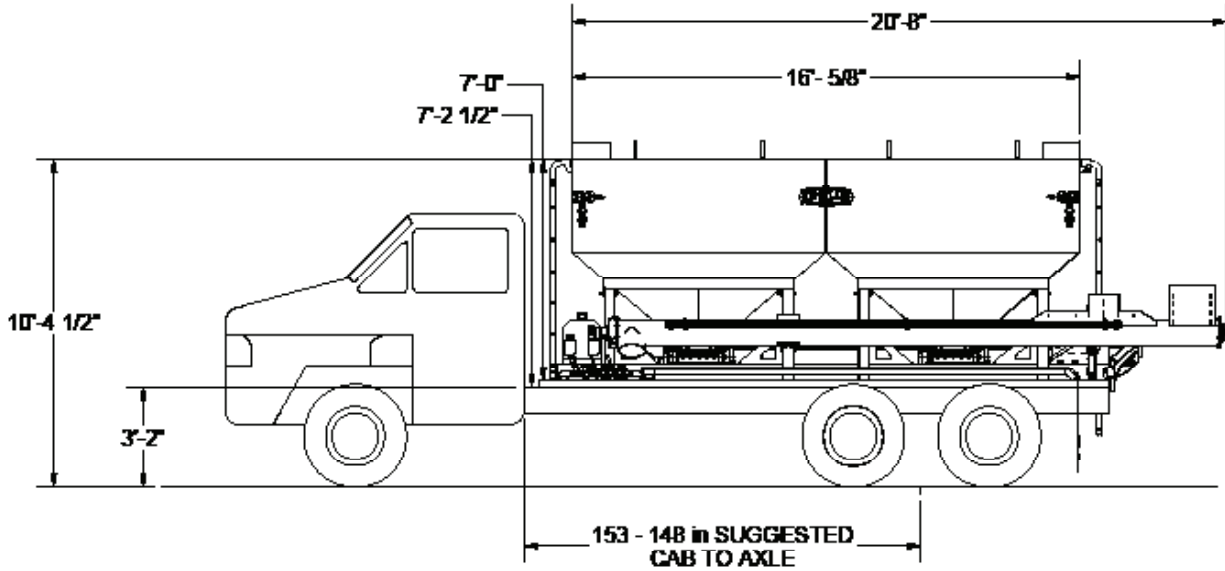


FOR MORE INFORMATION, PLEASE CONTACT:

MARLIN HEFFLEY
306-244-4448
mheffley@dyterra.com

JEREMY SCHMIDT
306-244-4448
jschmidt@dyterra.com





AUGER SPECS

Based on 38" truck frame height.

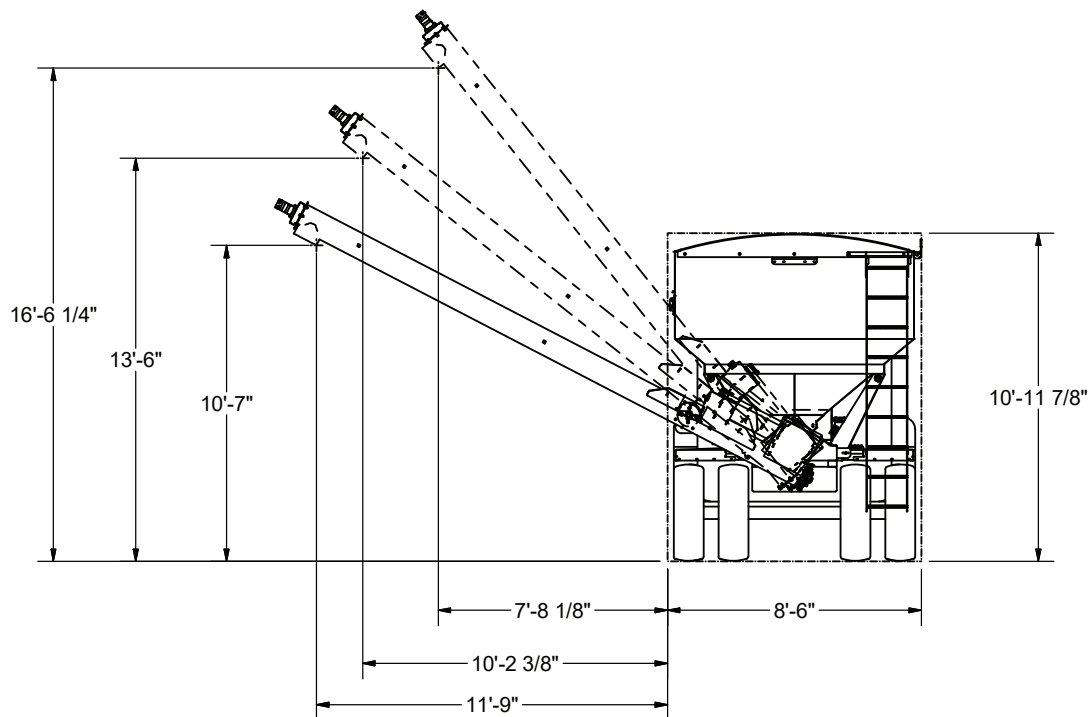
- Tube size 10in. (254mm)
- Discharge rate..... 3,500lbs./min. 1,588kg/min.)
- Discharge height (max.).....16.6666ft. (4.04m)
- Discharge height (min.)..... 11.5833ft. (3.53m)
- Auger length..... 20ft. (6.09m)

HOPPER DIMENSIONS

- Hopper length..... 16ft. (4.88m)
- Hopper width 8ft. (2.44m)

CAPACITY

Hopper Capacity (water level) 516 cu. ft.



SD161213 Products and specifications subject to change without notice. Photos may or may not include optional equipment.